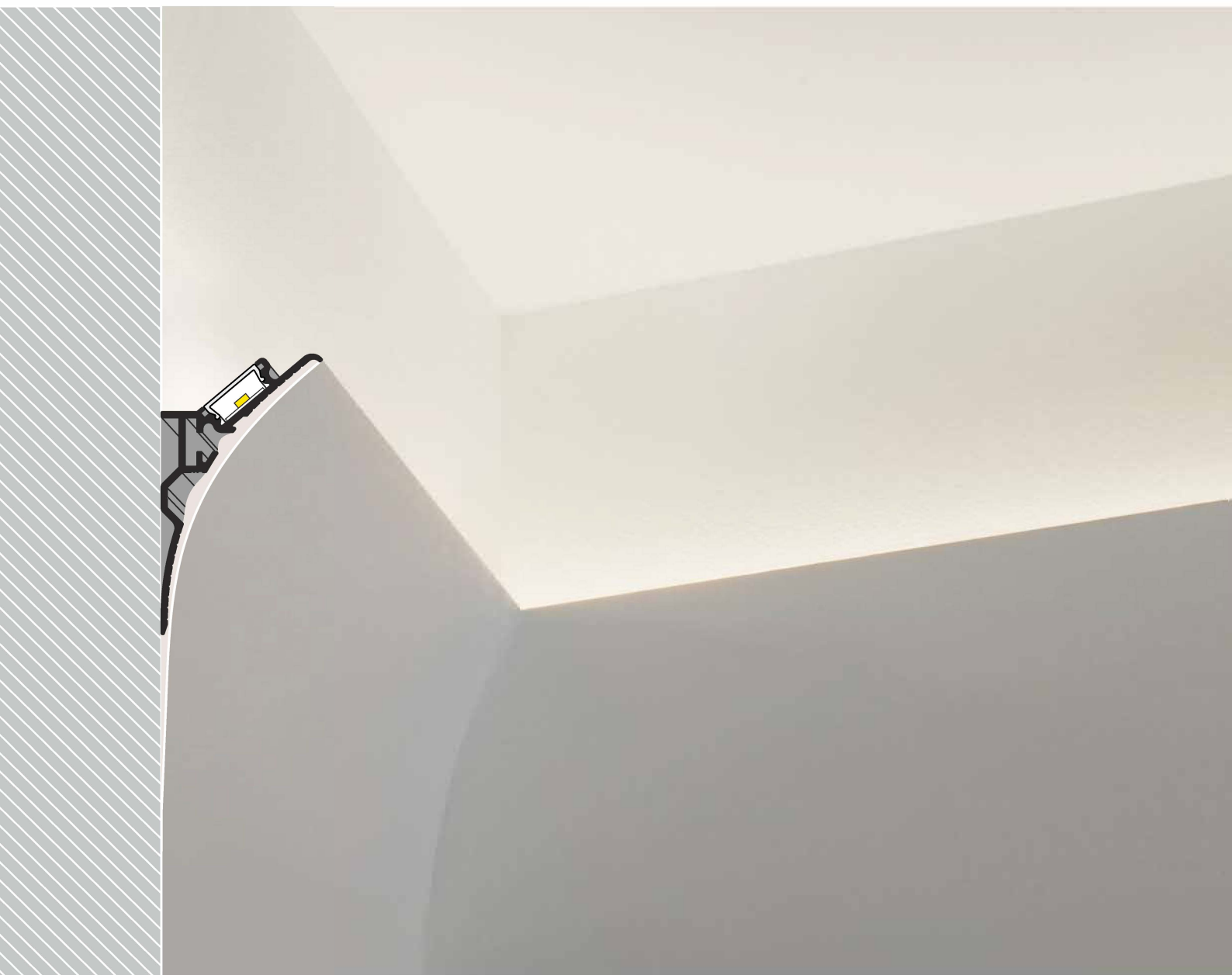


SILEÄ12 BC/Q9

NEW

SUBTLE CORNICE WITH A GLOW OF LIGHT

- installation to the wall without a drywall system
- invisible profile, atmospheric light
- accentuating of the room outline
- maximum LED strip width: 12 mm



SIMILAR IN THE OFFER



SEINÄ12
CD



SEINÄ10
C



TAUSTA10
A/UX



B B slide cover

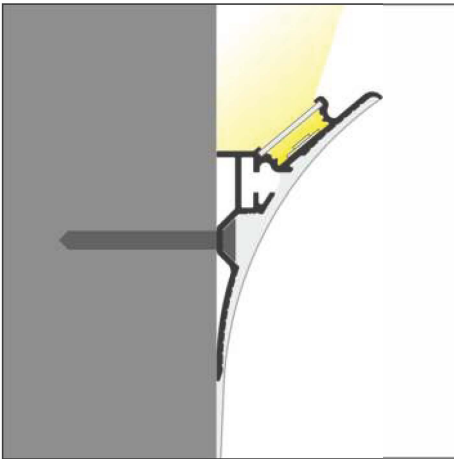
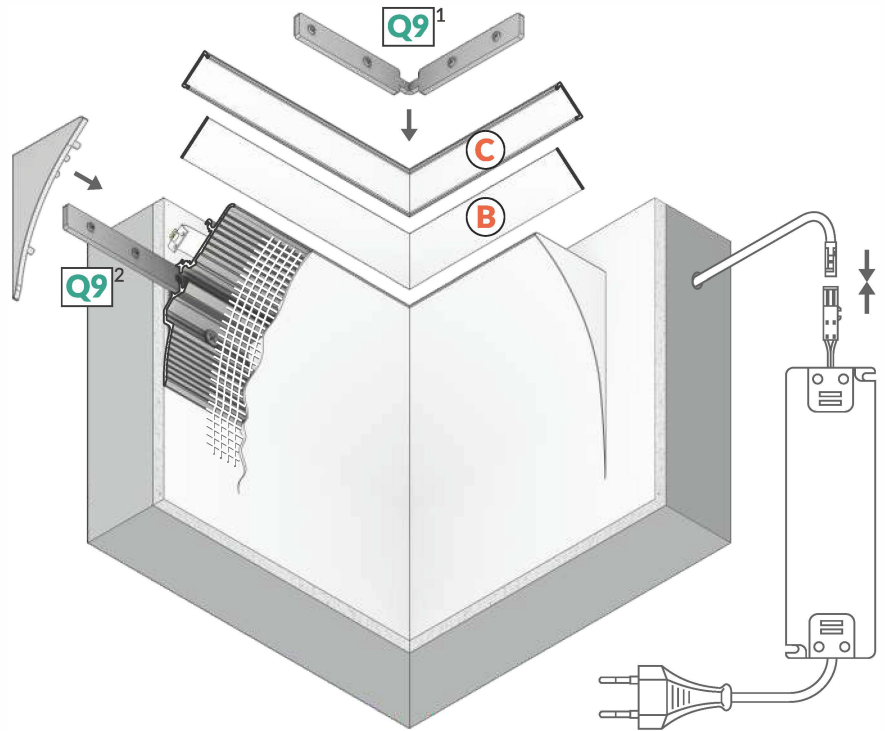
C C click cover

Q9¹ Q9-90 deg bent connector
Q9-90

Q9² Q9-180 deg connector
łącznik

other angles of Q9 connectors:
deg

45, 60, 90, 120, 135



 max 12 mm

 special application
specjalny

INDEX = 1 pc, length 2000 mm
package > check the pricelist

raw aluminium
H9000200



Available lengths: 1000 mm, 2000 mm, 3000 mm, 4000 mm.
The standard profile length tolerance is +20 mm.
More details >> 1.08.

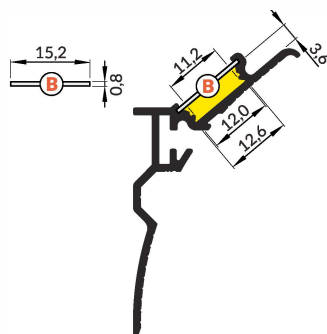
ACCESSORIES



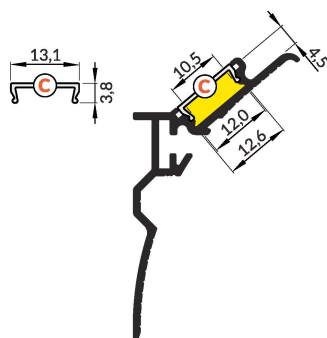
COVERS

B slide cover
 colours: transparent, frosted, opal
 material: PC, PP, PP

 **Note! Dimensions of the space to install LED source**
 Uwaga! Wymiary przestrzeni do zamontowania źródła LED



C click cover
 colours: transparent, opal
 material: PMMA



length 2000 mm
 package > check the pricelist

B transparent / B transparentny
 index = 10 pcs / indeks = 10 szt.

76250016

B frosted / B szron
 index = 10 pcs / indeks = 10 szt.

76250039

B opal / B mleczny
 index = 10 pcs / indeks = 10 szt.

76250038

C transparent / C transparentny
 index = 1 pc / indeks = 1 szt.

76330000

C opal / C mleczny
 index = 1 pc / indeks = 1 szt.

76330038

reel, length 20 m
 package > check the pricelist


C opal / C mleczny
 index = 1 pc / indeks = 1 szt.

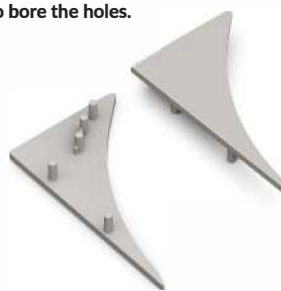
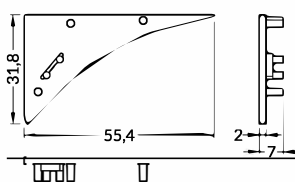
76360038S

The standard cover length tolerance is +20 mm.
 More details >> 1.08.

ENDINGS

SILEÄ12 ending
 colour: grey
 material: ABS

 **Ending with marked space to bore the holes.**

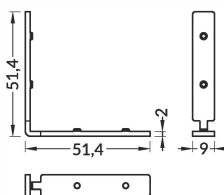


INDEX = 10 sets = 20 pcs
 package > check the pricelist

grey / szary
H9999922

CONNECTORS

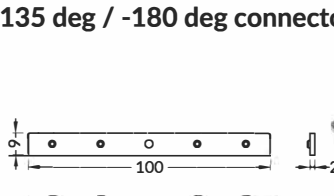
Q9-90 deg bent connector
 material: zink coated steel



INDEX = 1 set
 package > check the pricelist

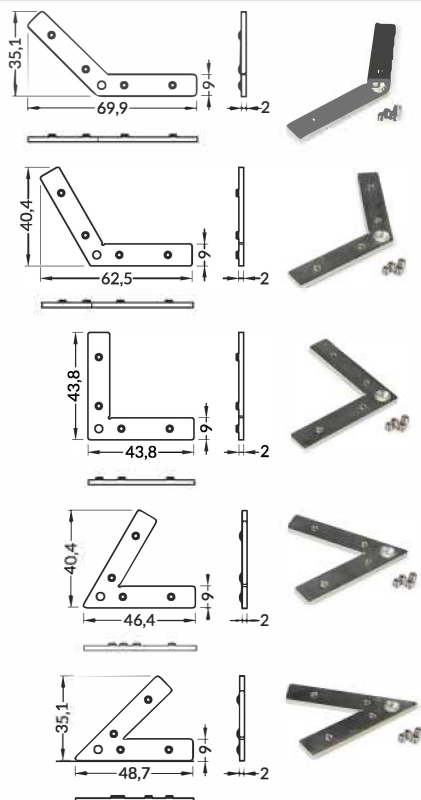
90 deg bent / 90 st gięty
V5999519S

Q9-45 deg / -60 deg / -90 deg / -120 deg / -135 deg / -180 deg connector
 material: zink coated steel



180 deg / st
V5999819S

ACCESSORIES



135 deg / st
V5999719S

120 deg / st
V5999619S

90 deg / st
V5999419S

60 deg / st
V5999319S

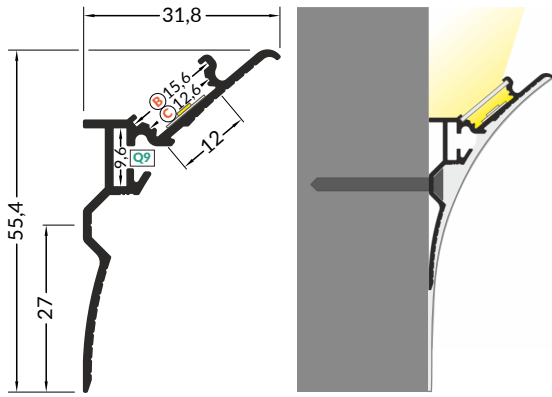
45 deg / st
V5999219S



SILEÄ12 BC/Q9

SPECIAL PROFILE

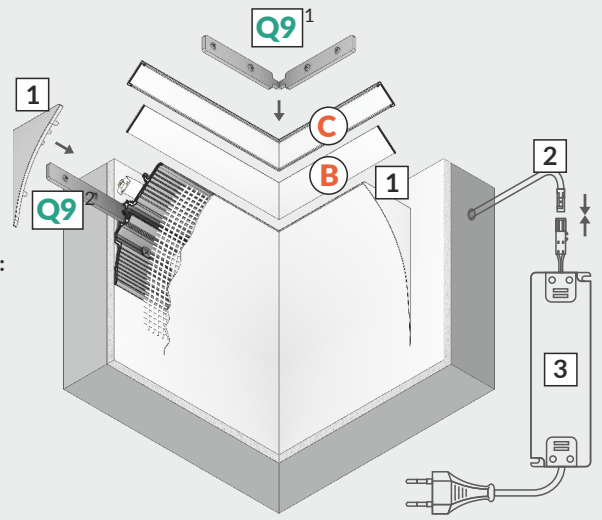
max 12 mm



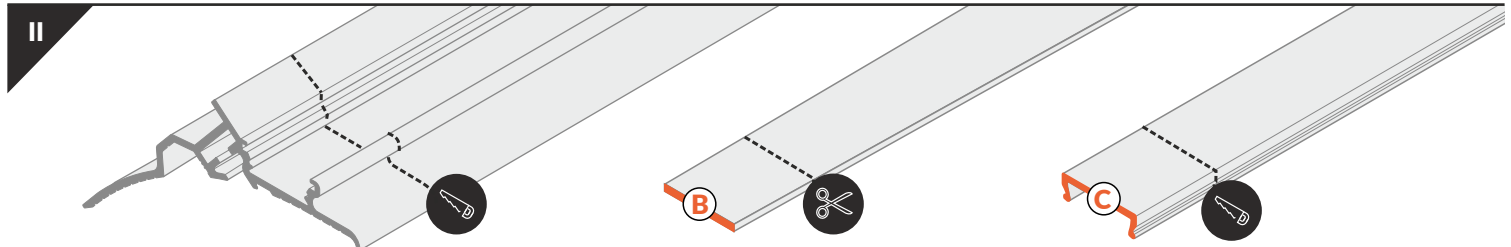
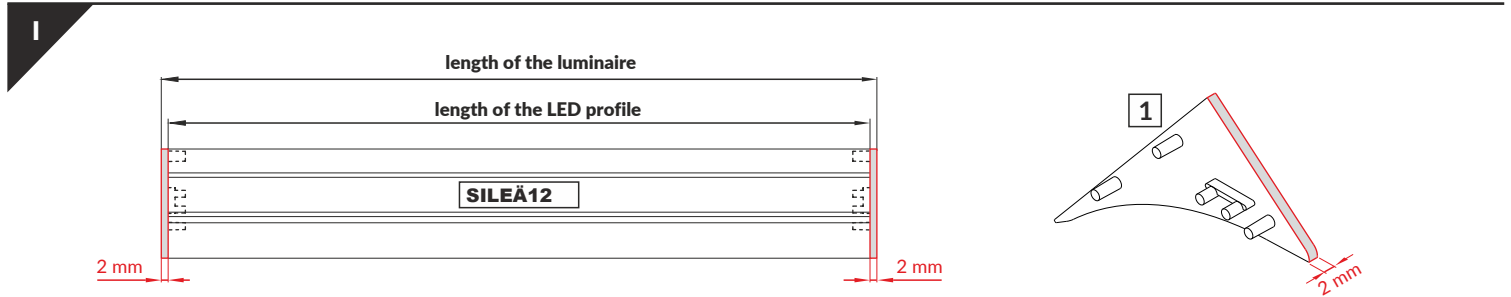
- B** B slide cover
- C** C click cover
- Q9¹** Q9-90 deg bent connector
- Q9²** Q9-180 deg connector

Other angles of Q9 connectors:
45, 60, 90, 120, 135 deg

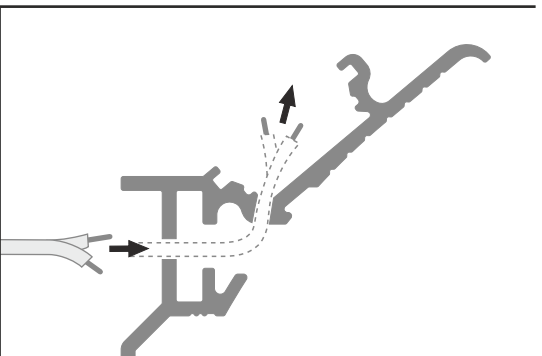
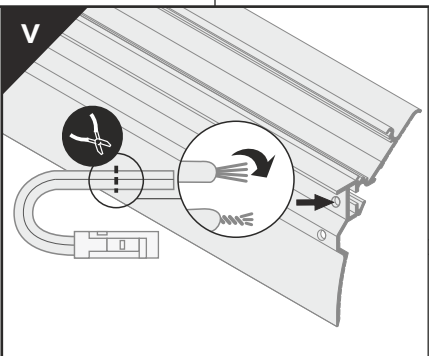
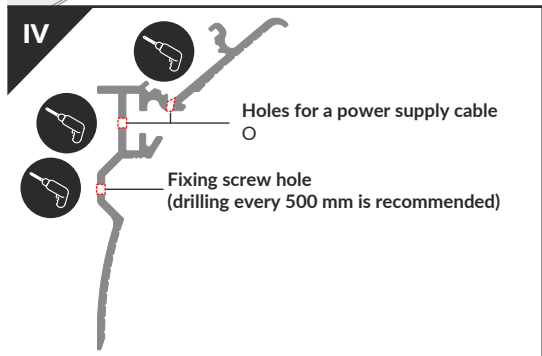
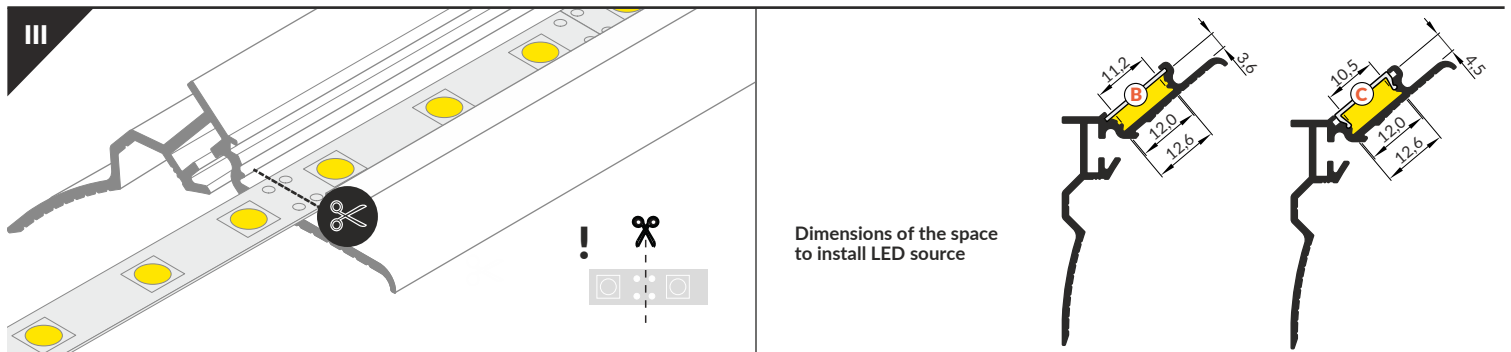
- 1** SMOOTH12 ending
- 2** power supply cable
- 3** LED power supply

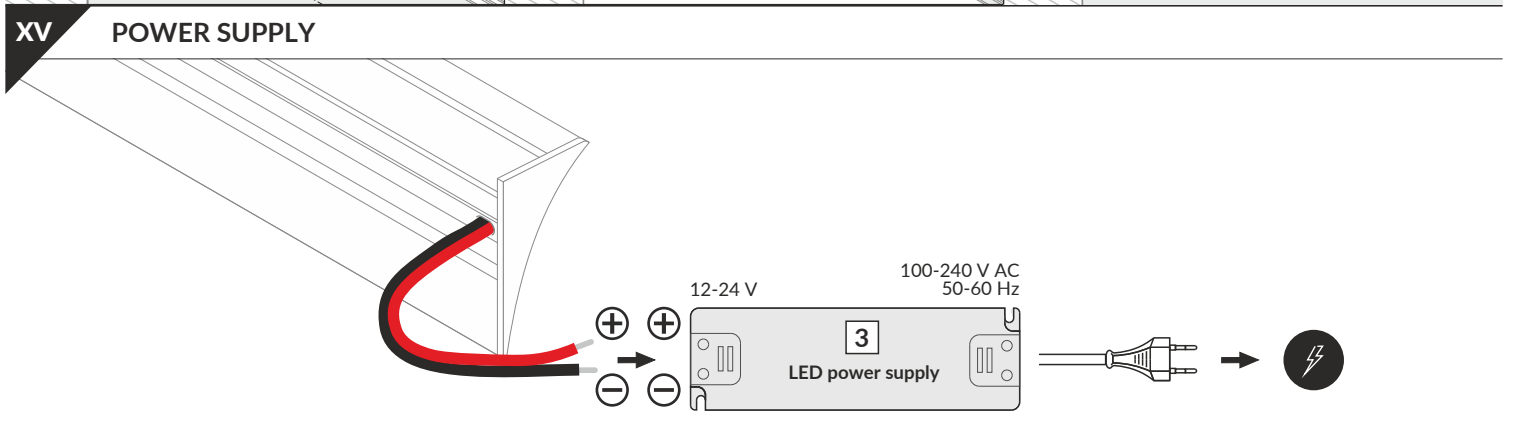
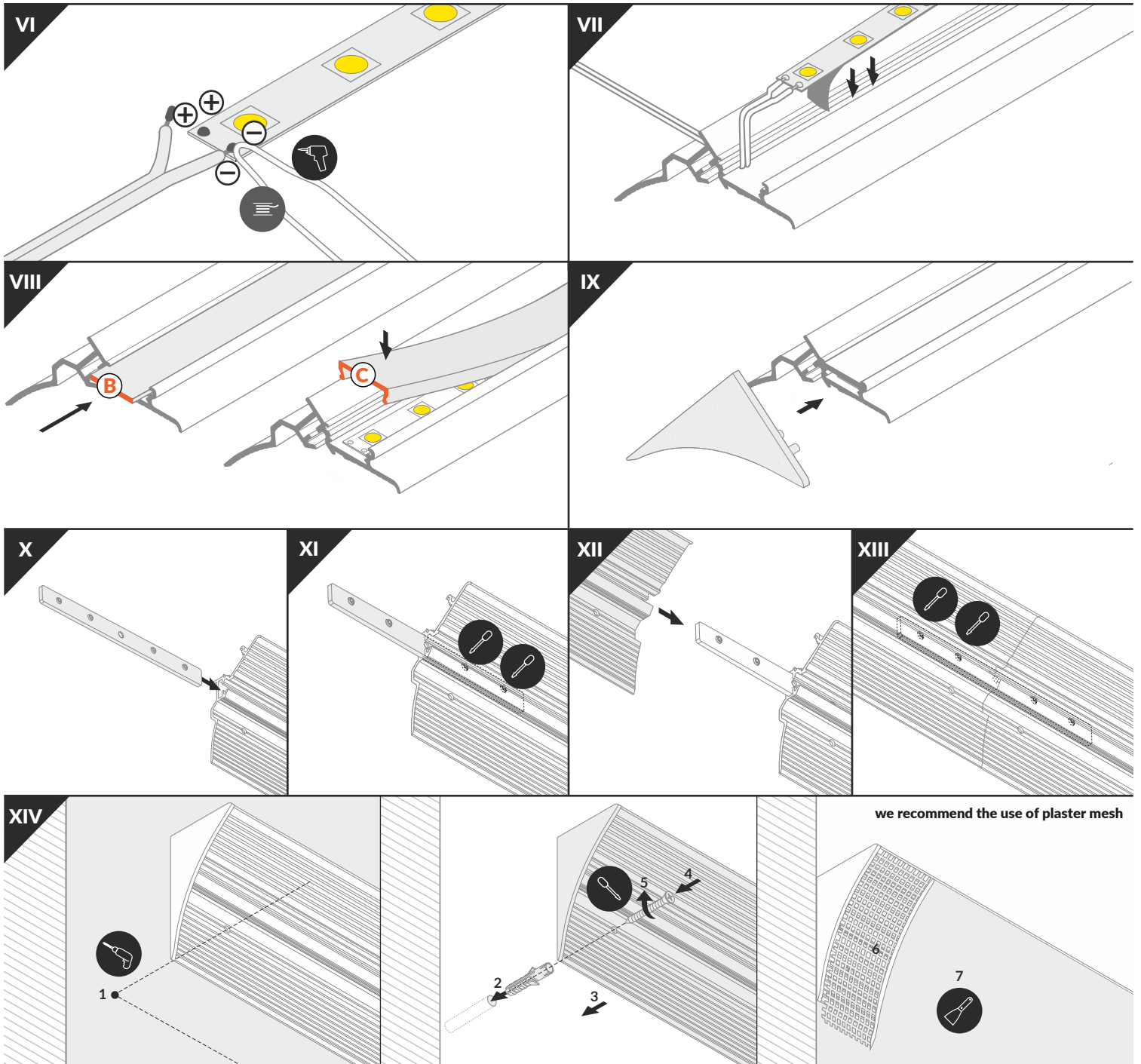


- scissors
- hacksaw
- pliers
- solder
- soldering iron
- screwdriver
- drill
- spatula



The length of the cover is equal to the length of the profile.





ACCESSORIES / AKCESORIA

- power switches
- controller + remote
- movement sensors